

# MICOS

MOTION CONTROL & OPTICS **USA**

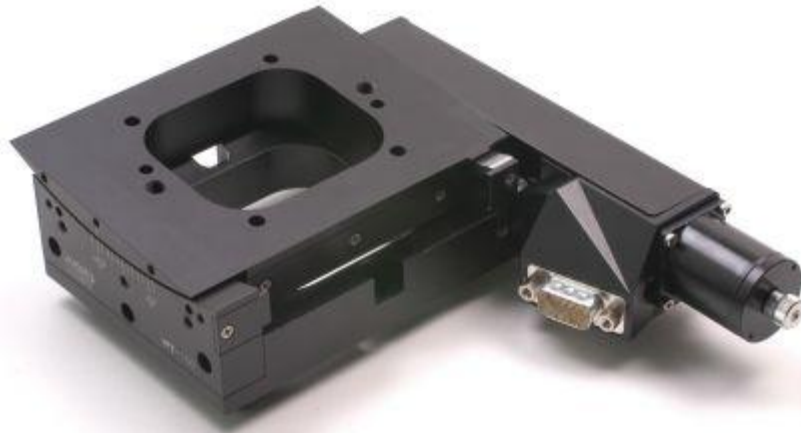
[Terms](#) | [Sitemap](#) | [About us](#) | [Contact](#) | [Catalog](#) | [Shows](#) | [News](#) | [Offices](#) | [Partners](#) | [Press Center](#) | [Support](#) | [Team](#) | [Home](#)

MICOS USA • 15375 BARRANCA PARKWAY • STE G101 • IRVINE • CA 92618 • PHONE 949 480 0538 • FAX 949 480 0538

Page

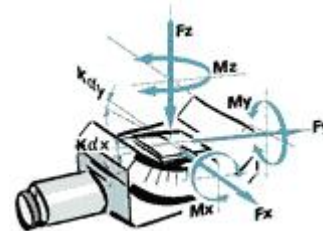
◀ 2.180 ▶ **Goniometer WT-100**

Positioners



### Key features

- Clear aperture 60x25 mm
- Repeatability 0.0001744°
- Angular scale feedback
- Tachometer combination
- Precise, smooth continuous 10° motion
- Speed up to 15°/sec
- Single-row ball bearings
- Special, tempered Aluminium
- Load up to 2 kg



### FACTS

Load Characteristics	Fx (N)	Fz (N)	Mx (Nm)	Mz (Nm)	ka (µrad/Nm)
<a href="#">DC-B-070</a>	15	20	0.75	4	25
<a href="#">2Phase-020</a>	15	20	0.75	4	25

### DESCRIPTION

The **Goniometer Stages WT-100** and WT-85 are designed for all tasks where conventional rotation stages cannot be employed due to limited space conditions. Typical applications are measuring tasks in the field of laser- and radio-technology. The Goniometer Stages WT-100 and WT-85 are well-suited to each other. Orthogonally mounted

they have a common spacial center. WT-100 is equipped with a ground wire guiding. The ground and hardened screw worm-gear wheel combination produces a very quiet smooth move. Directly driven by DC-,2-phase step motors high travel speed and resolution can be achieved. WT-100 Stages can be equipped with optical angular system. Resolutions up to 0.0000872 are standard offered. The Goniometer WT-100 is standardly equipped with two limit switches. **More pictures ...**



#### Technical data

<b>Rotation Range (°)</b>	<b>10</b>
Reduction	720:1
Accuracy (°)	+/- 0.01 ... 0.04
Repeatability (°)	+/- 0.0000872 ... 0.004
Reversal Error (°)	+/- 0.0000872 ... 0.0064
Velocity Range (°/sec)	0.001 ... 15
Wobble (µrad)	125

#### Speed max. (°/sec)

<a href="#">DC-B-070</a>	15
<a href="#">2Phase-020</a>	7

#### Resolution Open-Loop (°)

<a href="#">2Phase-020</a>	0.001 (SMC)   0.002 (FS)
----------------------------	--------------------------

#### Resolution Closed-Loop (°)

<a href="#">RE-010</a> , Rotary encoder	
<a href="#">AE-060</a> , Angular scale	0.0000872

#### Current (Amps) / Voltage (Volts)

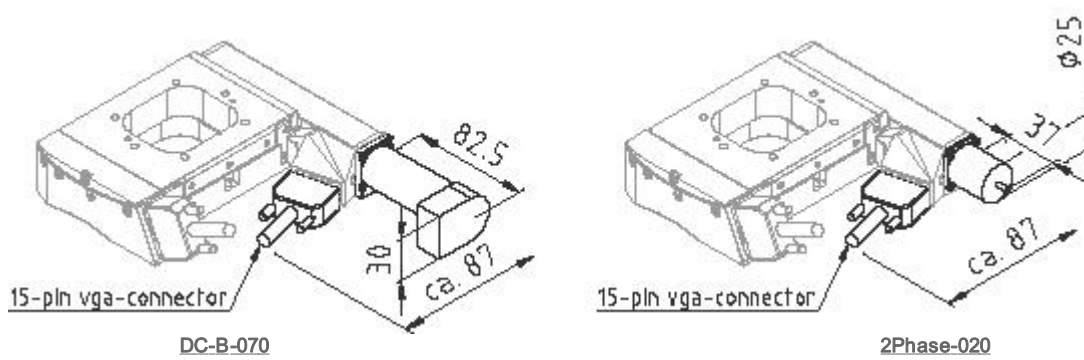
<a href="#">DC-B-070</a>	0.93   36
<a href="#">2Phase-020</a>	1.2   -

<b>Material</b>	Special Aluminium, black anodized
<b>Weight (kg)</b>	0.9

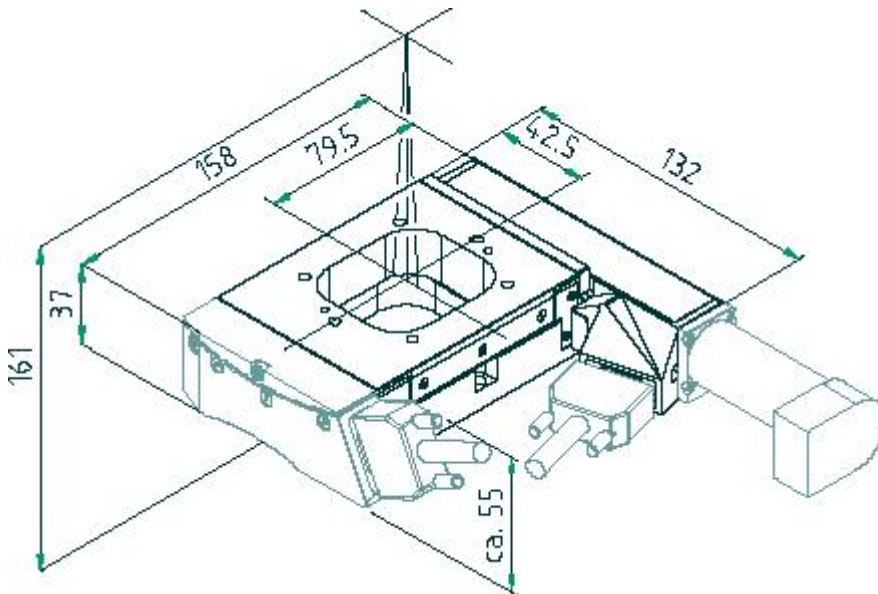
**Note:** (SMC): Micro-Step Mode, (FS): Full-Step 2Phase

**More info:** Detailed information, concerning the motor and connectors, see: Appendix

WT-100 Motors



WT-100 Base

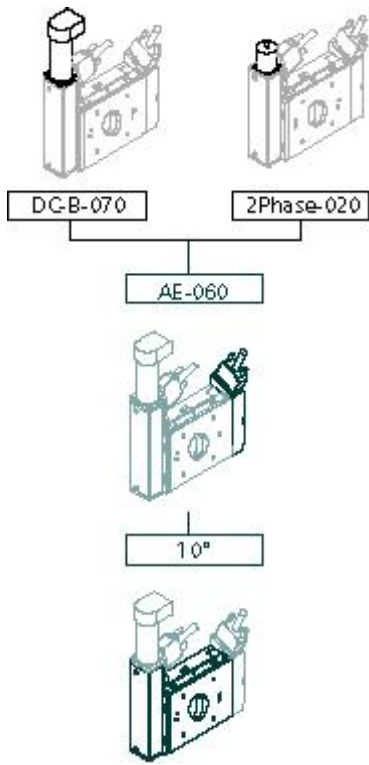


Rotation range  
10°

[Download PDF](#)

WT-100 Ordering information

DC-B-070	1
2Phase-020	2



without AE-060 0  
 AE-060, Angular steel scale 1

6541-9-	0	
---------	---	--

Founded in 1990, MICOS specializes in the development, manufacturing and marketing of ultra-high precision positioning components and systems for research and industry. We are experts in vacuum, ultra-high vacuum, clean room, and extreme climate environments down to 77 Kelvin. ▶▶

[Terms](#) | [Sitemap](#) | [About us](#) | [Contact](#) | [Catalog](#) | [Shows](#) | [News](#) | [Offices](#) | [Partners](#) | [Press Center](#) | [Support](#) | [Team](#) | [Home](#)  
**MOTION CONTROL** = [Systems](#) | [Positioners](#) | [MiniPositioners](#) | [DirectDrives](#) | [Controllers](#) | [ManPositioners](#) | [Accessories](#) | [Vacuum](#)  
**MAC.PhotonX** = [Moskito](#) | [Albatros](#) | [Campus](#)

Copyright 2006 © MICOS GmbH